



# Single, Half Tandem and Full Tandem Fender and Bracket Installation Instructions

## BASIC FENDER APPLICATIONS

Fender types for this instruction include:

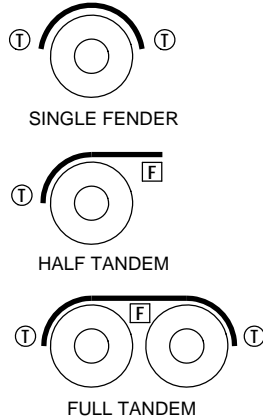
- Single Fender
- Half Tandem Fender
- Full Tandem Fender

Figures below show each fender type with basic mount locations and types.

**T = Tube Mount**  
**F = Frame Mount**

*Fenders are not pre-drilled to allow for maximum variations and clearance requirements.*

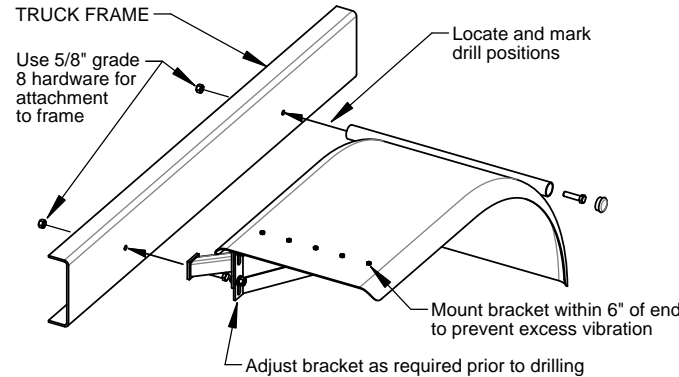
*Do not mount anything to fenders except mounting brackets as this can cause undue stress to fender.*



## 2. LOCATE MOUNT POINTS ON TRUCK FRAME

With fender positioned over tire, locate and adjust mount tubes and mount brackets onto truck frame. Use existing holes on truck frame if possible or mark onto frame to drill required holes. All mount tubes and brackets should be square to fender and rubber isolators should be in position before drilling truck frame.

**Note:** Be sure to check and follow truck or trailer manufacturer's recommendations before drilling any required mount holes.

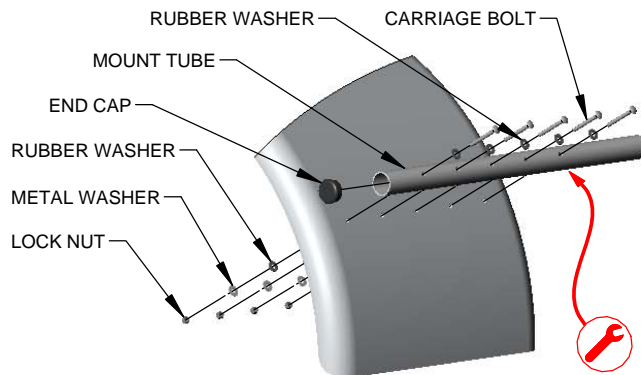


Once mount tubes and brackets are mounted to frame, confirm fender location and drill fender mount holes as required. Depending on mount style, see instructions 3a thru 3j for assembly and hardware details.

**Note:** Locations shown for brackets are general. Be sure to mount frame bracket no more than 6" from end of fender and tube style bracket not more than half way up curve of fender to prevent excess vibration. Exact placement and number of brackets will vary depending on particular fender styles and lengths.

## 3a. BASIC POST STYLE TUBE ASSEMBLY

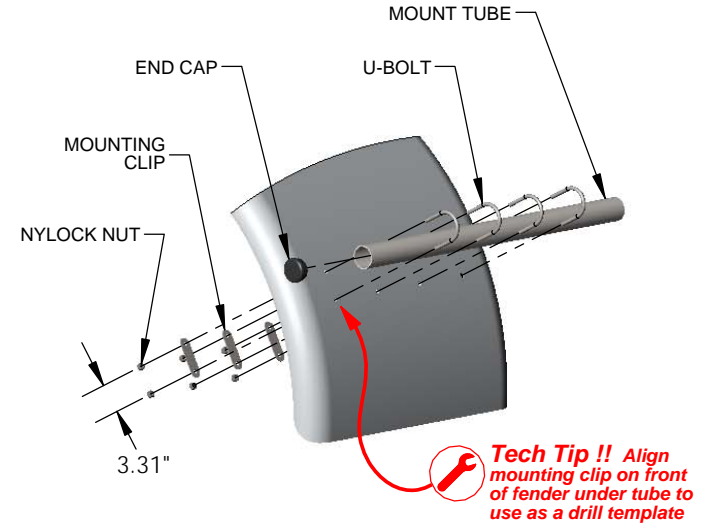
Line drill 3/8" holes through fender and mount tube as required. Assemble fender with hardware as shown.



**Tech Tip !!** Use predrilled tube as a drill template

## 3b. U-BOLT STYLE TUBE ASSEMBLY

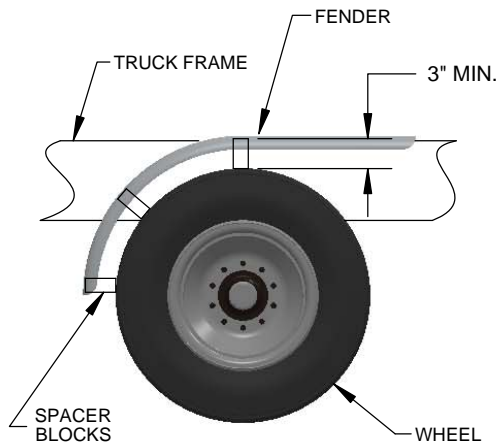
Drill 3/8" holes through fender as shown. Position U-bolts at equal spacing across fenders. Note drill spacing for mounting clip. Assemble fender to tube using U-bolts, mounting clips and nylock nuts.



**Tech Tip !!** Align mounting clip on front of fender under tube to use as a drill template

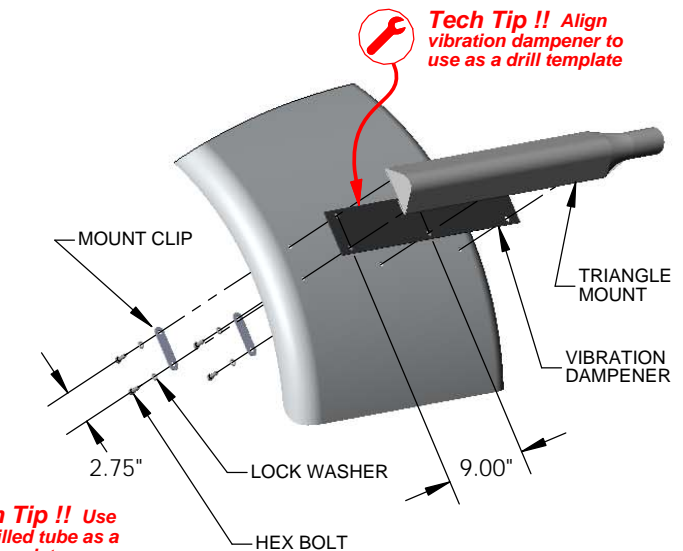
## 1. POSITION FENDER OVER TIRE(S)

Position fender over tire using suitable spacers. Be sure to achieve a minimum 3" clearance between fender and tire. For an air ride suspension, be sure clearance is available with suspension deflated.



## 3c. TRIANGLE BRACKET MOUNT ASSEMBLY

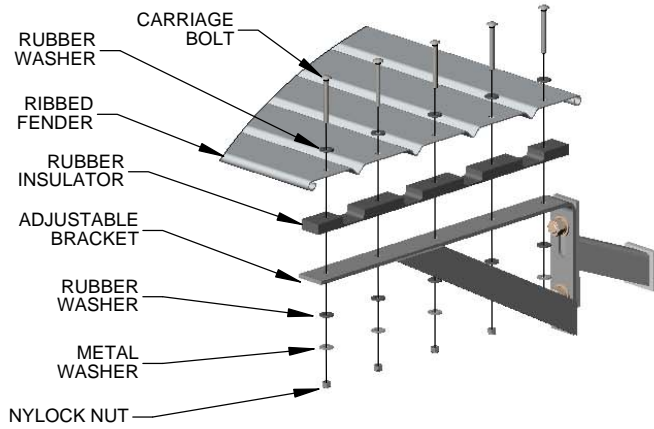
Match drill 3/8" holes through fender to align with triangle bracket. Note hole spacing dimensions. Attach bracket using mount clips, lock washers and hex bolts. Triangle bracket requires stub mount and clamp mounted to truck frame (not shown).



**Tech Tip !!** Align vibration dampener to use as a drill template

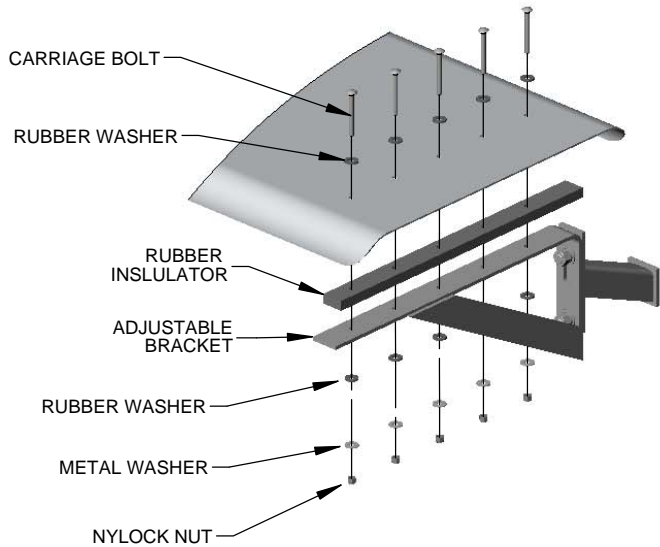
### 3d. FRAME ASSEMBLY WITH 4 OR 2 RIB FENDER

Line drill 3/8" holes through fender, rubber isolator and mount bracket. Be sure parts are squarely aligned before drilling. Assemble fender to bracket and isolator using carriage bolts, rubber washers, metal washers and nylock nuts.



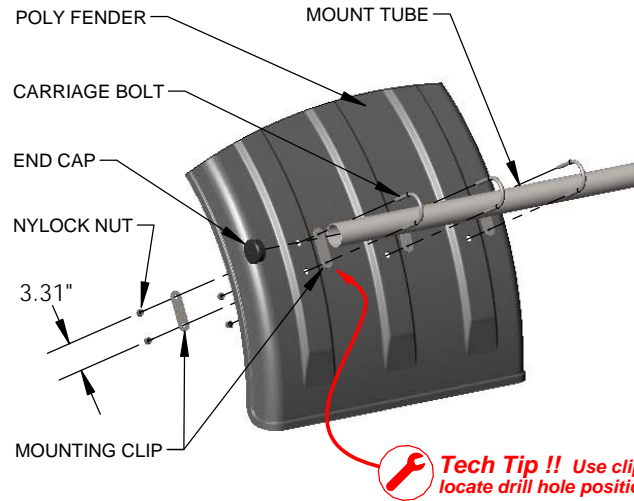
### 3e. FRAME STYLE ASSEMBLY WITH SMOOTH FENDER

Line drill 3/8" holes thru fender, rubber isolator and mount bracket. Be sure parts are squarely aligned before drilling. Assemble fender to bracket and isolator using carriage bolts, rubber washers, metal washers and nylock nuts.



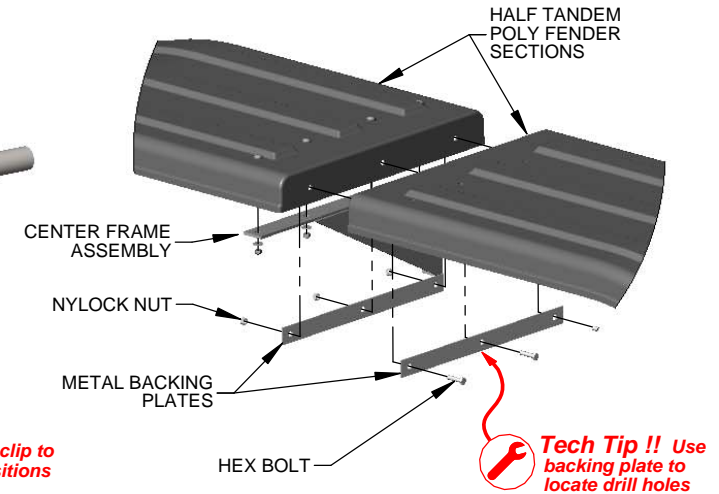
### 3f. U-BOLT STYLE ASSEMBLY WITH POLY FENDER

Drill 3/8" holes through fender locating U-bolts at equal spacing and centered on ribs as shown. Note drill spacing for mounting clips. Assemble fender to tube using U-bolts, mounting clips and nylock nuts. Note mounting clips on both sides of fender.



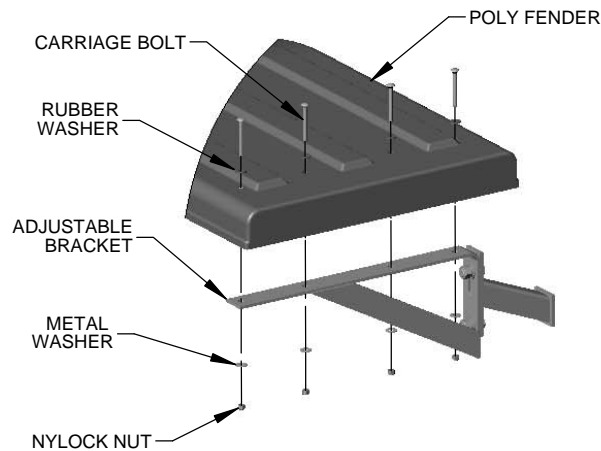
### 3h. FULL TANDEM POLY FENDER ASSEMBLY

Drill 3/8" holes through poly fender end flanges to match backing plate. Locate metal backing plates on inside of fender and assemble using hex bolts and nylock nuts. Squarely align fender halves before final assembly. Mount center frame and tube mounts using assembly instructions 3f and 3g. Note center frame mount slightly offset from fender flange.



### 3g. FRAME STYLE ASSEMBLY WITH POLY FENDER

Line drill 3/8" holes through fender, rubber isolator and mount bracket. Locate drill positions between ribs. Be sure parts are squarely aligned before drilling. Assemble poly fender to bracket using carriage bolts, rubber washers, metal washers and nylock nuts.



### 3j. POLY FENDER MODULAR ASSEMBLY

Align curved front and flat mid sections of modular poly fenders and assemble with carriage bolts, metal washers and nylock nuts as shown. Mount center frame and tube mounts using assembly instructions 3f and 3g.

